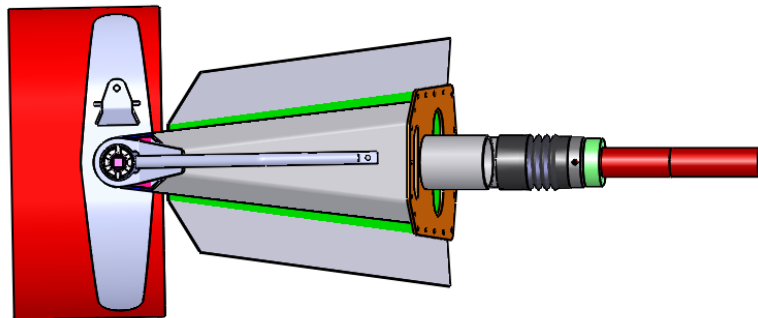
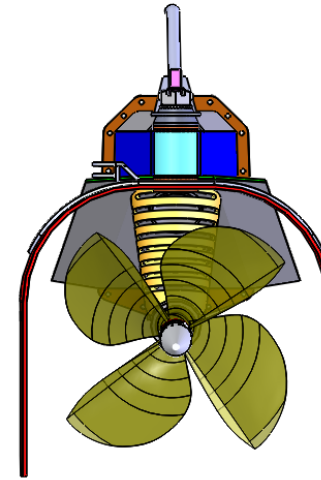
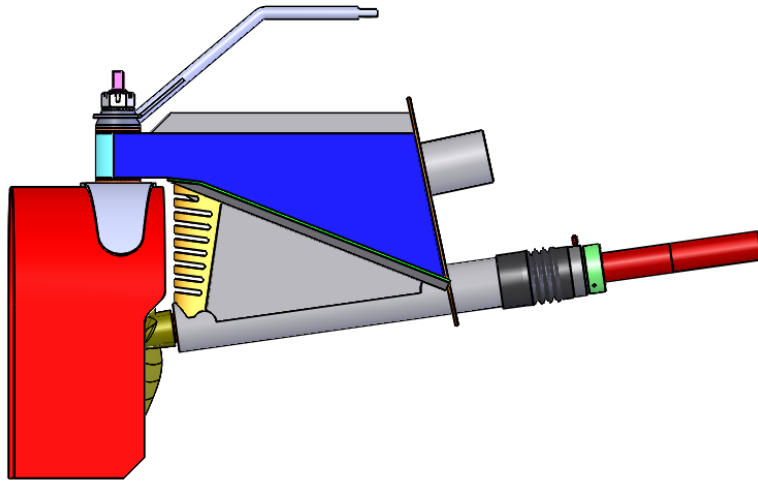


2013 LD280 Assembly Version with Tiller

Version with Tiller



PROPRIETARY AND CONFIDENTIAL
 THE INFORMATION CONTAINED IN THIS DRAWING IS THE SOLE PROPERTY OF SCHOLZ MARINE CONSULTING. ANY REPRODUCTION IN PART OR AS A WHOLE WITHOUT THE WRITTEN PERMISSION OF SCHOLZ MARINE CONSULTING IS PROHIBITED.

		DIMENSIONS ARE IN MILLIMETER		NAME	DATE	<i>Scholz Marine Consulting</i>		
				DRAWN		2013 LD280 Assembly Version with Tiller		
				CHECKED <i>Rudolf Scholz</i>				
				ENG APPR.				
				MFG APPR.				
				Q.A.				
				COMMENTS:				
				Quantity 1				
NEXT ASSY	USED ON	FINISH				SIZE	DWG. NO.	REV.
APPLICATION		DO NOT SCALE DRAWING				A		
						SCALE:1:20	WEIGHT:	SHEET 1 OF 1