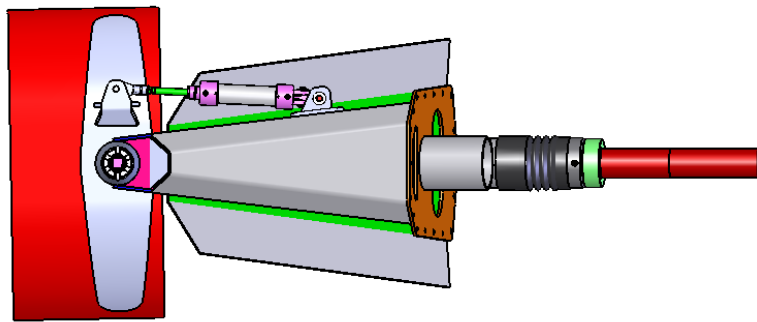
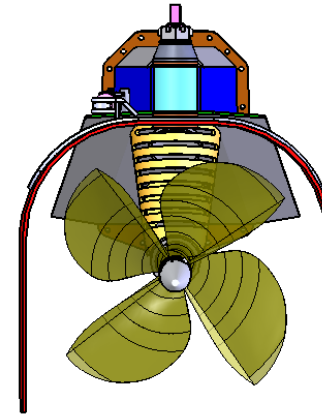
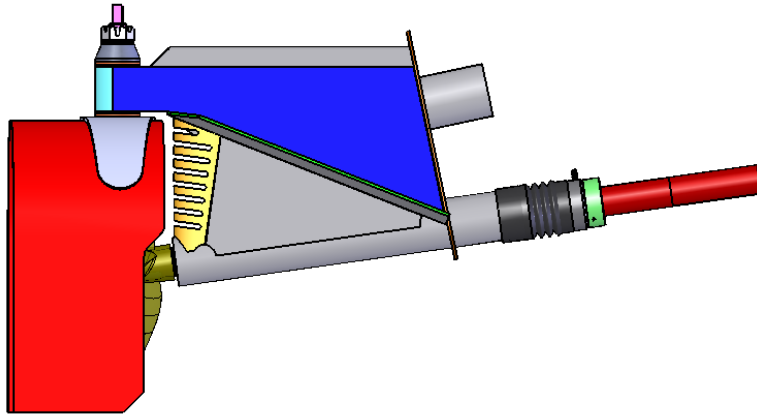


2013 LD280 Assembly with Hydraulic Ram



PROPRIETARY AND CONFIDENTIAL
 THE INFORMATION CONTAINED IN THIS DRAWING IS THE SOLE PROPERTY OF SCHOLZ MARINE CONSULTING. ANY REPRODUCTION IN PART OR AS A WHOLE WITHOUT THE WRITTEN PERMISSION OF SCHOLZ MARINE CONSULTING IS PROHIBITED.

		DIMENSIONS ARE IN MILLIMETER		NAME	DATE	<i>Scholz Marine Consulting</i>		
				DRAWN		2013 LD280 Assembly with Hydraulic Ram		
				CHECKED <i>Rudolf Scholz</i>				
				ENG APPR.				
				MFG APPR.				
				Q.A.				
				COMMENTS:				
				Quantity 1		SIZE	DWG. NO.	REV.
						A		
NEXT ASSY	USED ON	FINISH				SCALE:1:20	WEIGHT:	SHEET 1 OF 1
APPLICATION		DO NOT SCALE DRAWING						